



M 950

studio microphone

the smallest
large membrane microphone

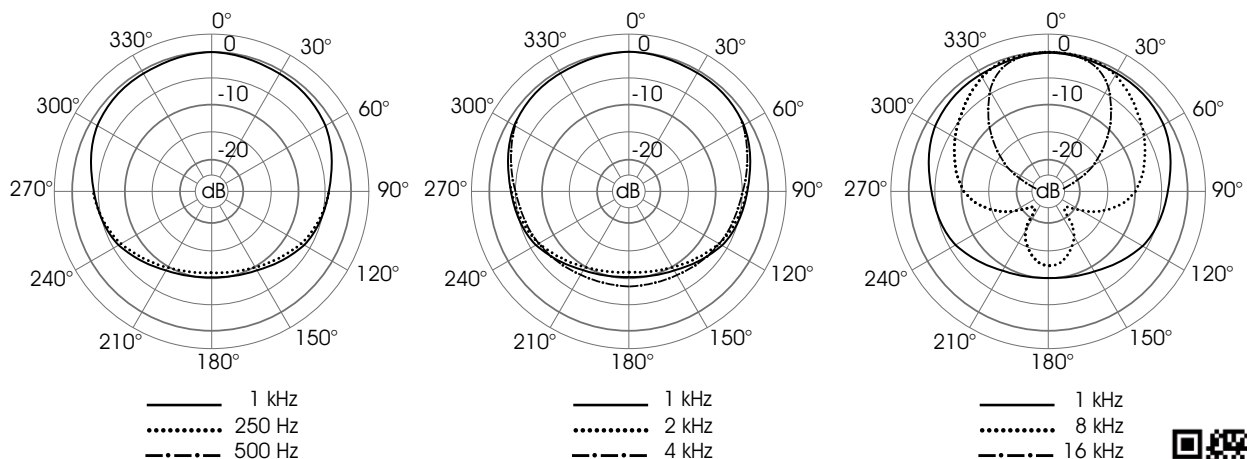
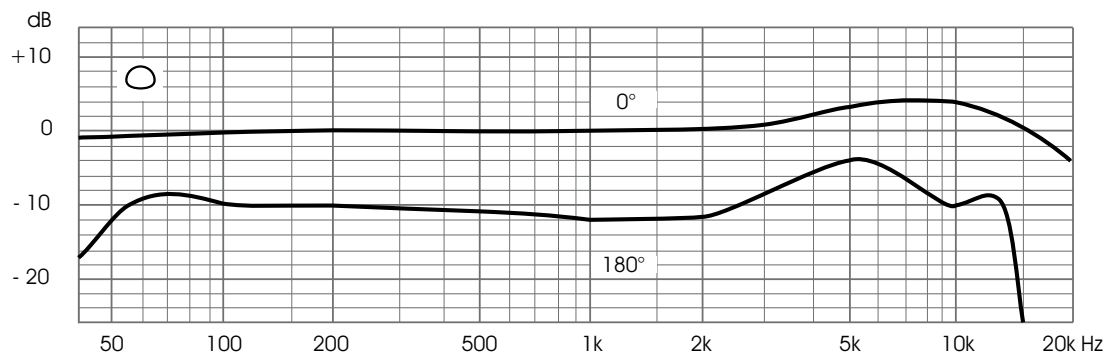
- condenser microphone
- widecardioid
- large diaphragm capsule
- PE diaphragm
- transistor pre-amplifier
- phantom powering P48

Delivery, Options and Accessories	Typ	Order-No.
Studio microphone with microphone holder MH 93.1, satin nickel	M 950	211191
Studio microphone with microphone holder MH 93.1, dark bronze	M 950	211192
Studio microphone with elastic suspension EA 93, satin nickel	M 950	2111133
Studio microphone with elastic suspension EA 93, dark bronze	M 950	2111134
Windscreen, anthracite	W 76	202407
Popscreen, black	P 110.20	600085
Foam disk, spare part for P 110.20, black		600168
Microphone holder, satin nickel	MH 93.1	202304
Microphone holder, dark bronze	MH 93.1	202303
Elastic suspension, satin nickel	EH 93 P	202357
Elastic suspension, dark bronze	EH 93 P	202358
Elastic suspension incl. A93, satin nickel	EA 93	212311
Elastic suspension incl. A93, dark bronze	EA 93	212312
Adaptor for elastic suspension EA 93, satin nickel	A 93	202354
Adaptor for elastic suspension EA 93, dark bronze	A 93	202355
Connection cable, 10 m, XLR, schwarz	C 70.1	202212
Connection cable, 10 m, XLR, RFI-shielded, black	C 70.1 HF	202213

M 950



Polar pattern	Widcardioid	
Acoustic operating principle	Pressure gradient transducer	
Frequency range	20 to 20.000 Hz	
Sensitivity at 1 kHz	20 mV/Pa	
Output impedance	100 Ω	
Inherent noise	IEC 268-4	7 dB(A)
	CCIR 468-4	13 dB
Signal-to-noise ratio (re 1 Pa at 1 kHz)	A-weighted	87 dB
	CCIR-weighted	81 dB
Max SPL	at 0.5% THD	142 dB
Max. output level	$R_L = 10\text{ k}\Omega$	18 dBu
	$R_L = 1\text{ k}\Omega$	17 dBu
Dynamic range of electronics	135 dB	
Current consumption	P48, IEC 61938	3,6 mA
Output connector	XLR-3M	
Weight	210 g	
Dimensions (L x Ø)	118 mm x 45 mm	
Surface	satin nickel, dark bronze	



DEV 21191.01 (08.01.2025) © Microtech Gefell GmbH

