



## M 900

handheld microphone

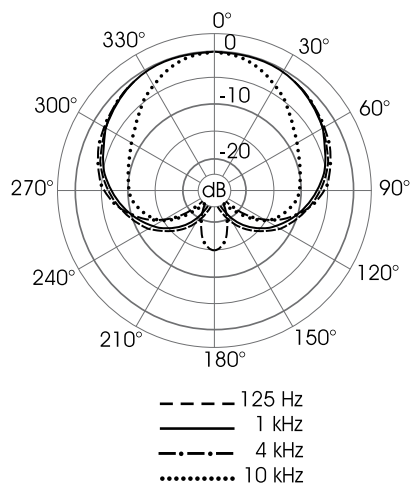
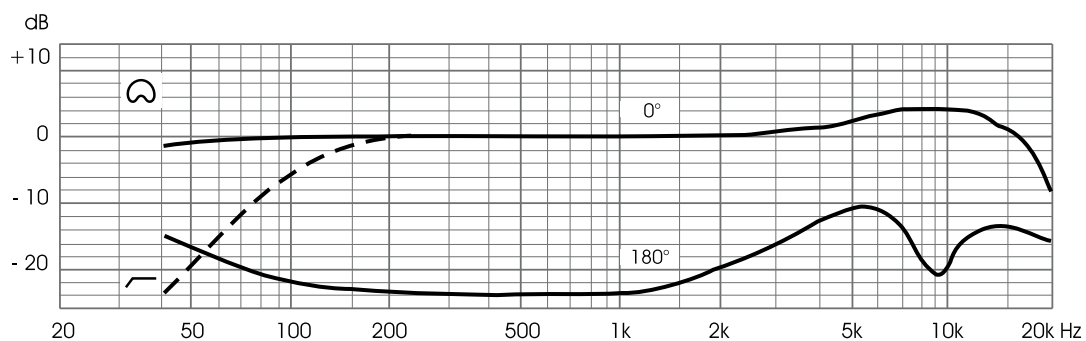
- condenser microphone
- cardioid
- large diaphragm capsule
- PVC diaphragm
- transistor pre-amplifier
- phantom powering P48

Delivery, Options and Accessories	Typ	Order-No.
Studio microphone, black	M 900	2111153
Popscreen, black	P 110	600097
Foam disk, spare part for P 110, black		600168
Popscreen, black	P 110.W	610189
Connection cable, 10 m, XLR, black	C 70.1	202212
Connection cable, 10 m, XLR, RFI-shielded, black	C 70.1 HF	202213

# M 900



Polar pattern	cardioid	
Acoustic operating principle	pressure gradient transducer	
Frequency range	20 Hz to 20.000 Hz	
Sensitivity at 1 kHz	17 mV/Pa	
Switch position "reduced bass roll-off" at 90 Hz	-10 dB	
Output impedance	150 Ω	
Noise level	CCIR 468-4	21 dB
	DIN EN 60268-4	13 dB-A
Signal-to-noise ratio	CCIR weighted	73 dB
	A-weighted	81 dB
SPL for THD 0,5 %	133 dB	
with 10 dB preattenuation	143 dB	
Dynamic range	120 dB	
Current consumption	3 mA	
Output connector	XLR3M	
Weight	229 g	
Dimensions (L x Ø)	218 mm x 47 capsule / 28 mm preamplifier	



DEN 211163.01 (16.05.2026) ©Microtech Gefell GmbH

